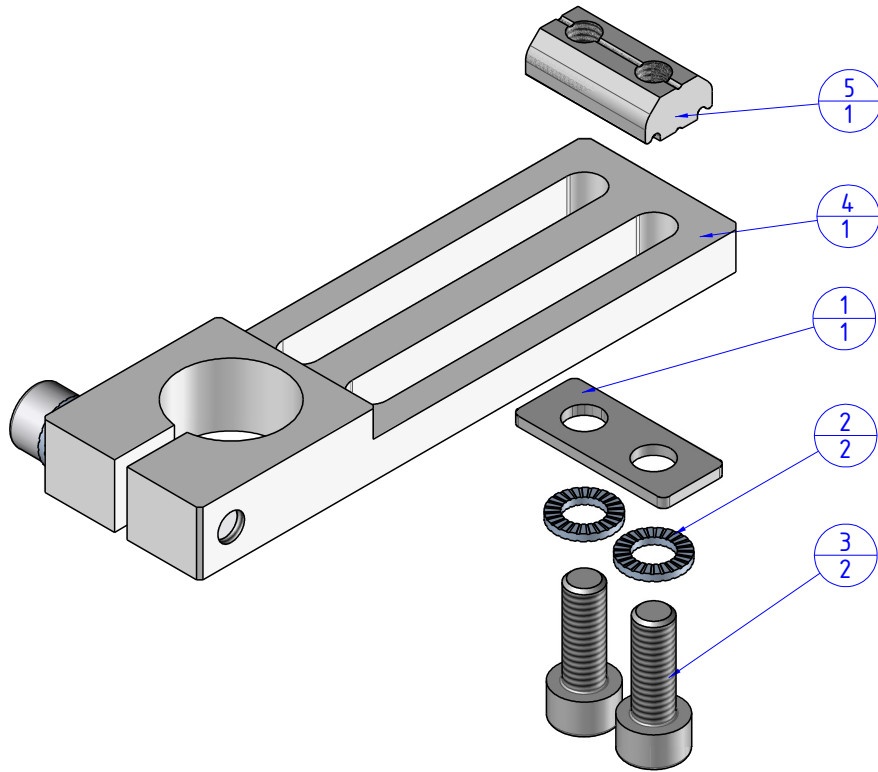
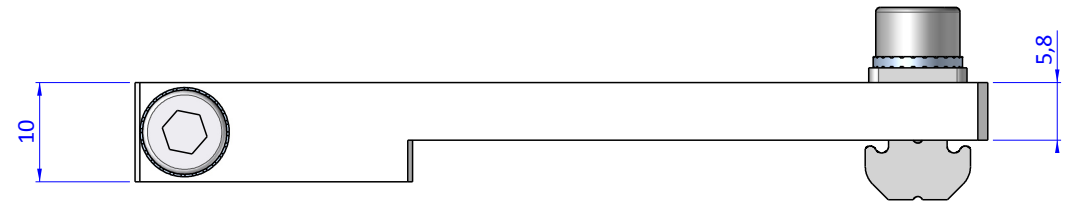
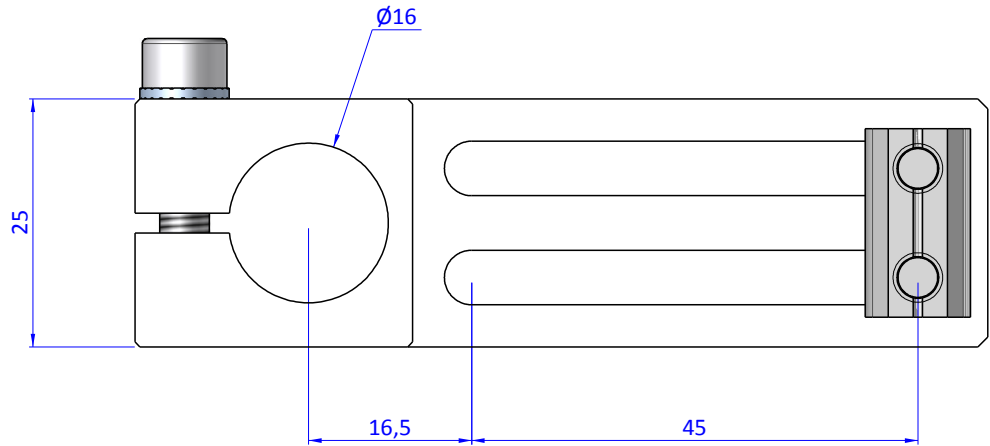


THE PROPERTY OF THE DRAWING IS ESTABLISHED BY LAW. IT IS FORBIDDEN TO PRODUCE OR SHOW IT TO THIRD PARTY, WITHOUT A WRITTEN AGREEMENT.

Item	Name	Q. ty
1	R.05.11	1
2	R.5.SCH	2
3	V.TCE5x14	2
4	CA.04.02.16	1
5	CA.GWP.5.11	1



Format A3

UNI 936-76

		DESIGNED FROM		REVIEW
		FPSERVICES		A
GENERAL TOLERANCE		DATE	WEIGHT	
UNI - ISO 2768		30/04/2016	0,051kg	
CLASSE f		CODE		
		CA.04.02.16.X		CA.04.02.16.X